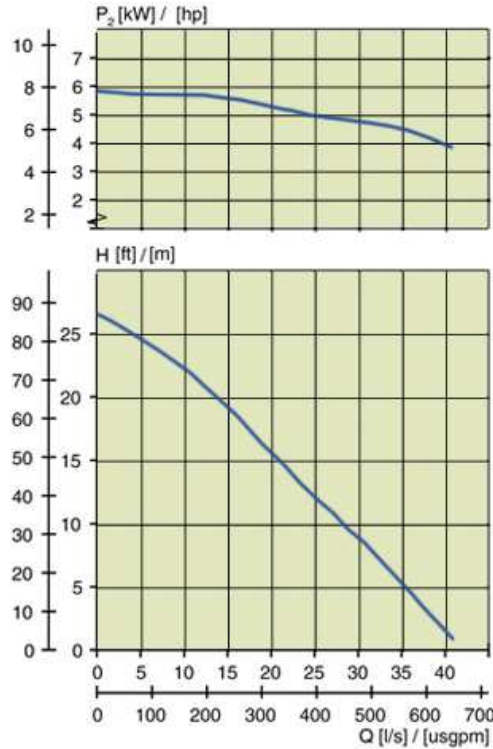
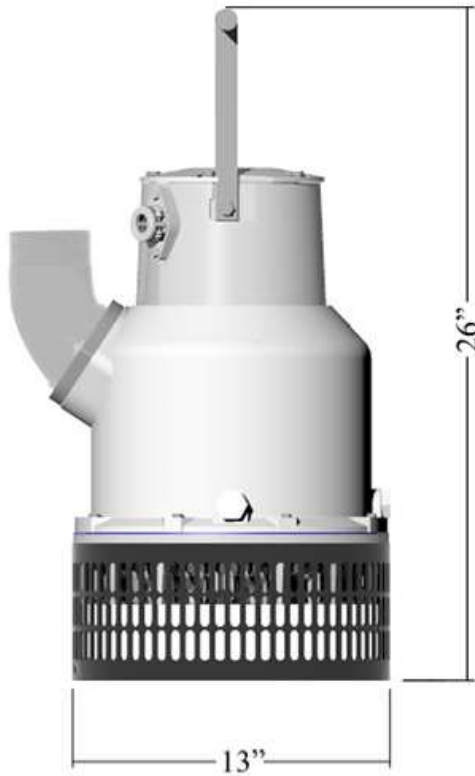




MECHANICAL & COMPONENTS INC

## APEX MODEL SD85HV 8.2HP



### Product

Light weight portable submersible Dewatering and drainage pumps for Mining, construction, and general Requirements

### Product Code

Apex SD85HV 8.5HP High Head Application.

### Motor Data

Horsepower 8.5HP  
 Full load amp 10.5  
 RPM 3600  
 3ph/60Hz/460v  
 Insulation Class H (180 C)  
 Thermal Overload Contacts  
 Opening Temp 130C  
 Star Direct-on-line

Peak Mechanical, inc  
 P.O. Box 725  
 400W Mullan Avenue  
 Osburn, Idaho 83849

### Material

Outer Casing	Aluminium
Discharge	Aluminium – 4"
Stator Housing	Aluminium
Stariner	Steel/Powder coated
Wear parts	Polyurethane
Impeller	Cast Iron
Optional impeller	17-4 S.S
Rotor shaft	400 Series Stainless Steel

### Seal Material

Cemented Tungsten Carbide  
 in stainless Steel Holder

### Weight

Total (less cable) 130 lbs

Corp Phone 208.556.6008  
 Crp. Fax 208.753.7008



# PART LIST APEX MODEL SD85HV

MECHANICAL & COMPONENTS INC

