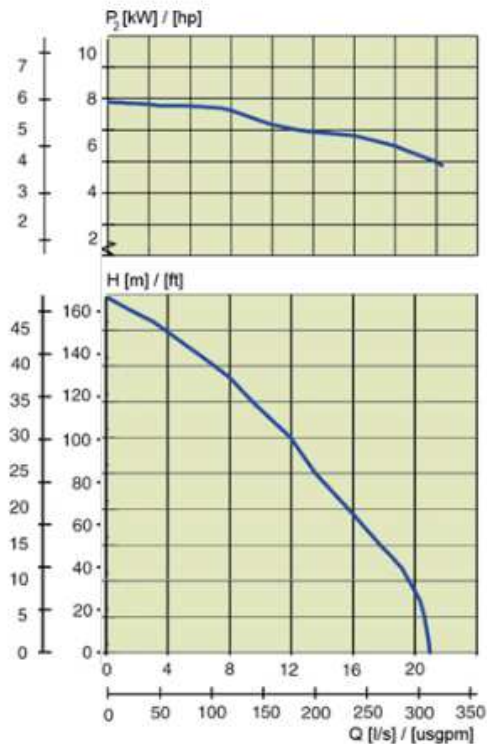
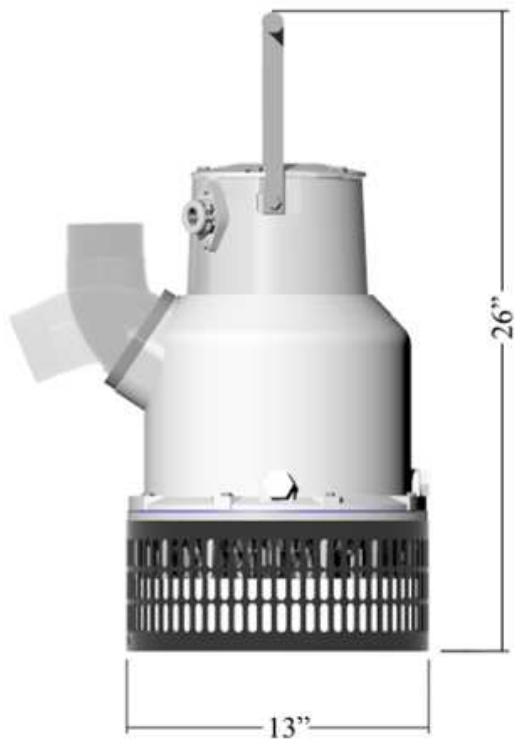




MECHANICAL & COMPONENTS INC

APEX MODEL SD160HH 8.2HP



Product

Light weight portable submersible Dewatering and drainage pumps for Mining, construction, and general Requirements

Product Code

Apex SD160HH 8.2HP High Head Application.

Motor Data

Horsepower	8.2HP
Full load amp	10.5
RPM	3600
3ph/60Hz/460v	
Insulation Class	H (180 C)
Thermal Overload Contacts	
Opening Temp	130C
Star	Direct-on-line

Peak Mechanical, inc
P.O. Box 725
400W Mullan Avenue
Osburn, Idaho 83849

Material

Outer Casing	Aluminium
Discharge	Aluminium – 3”
Stator Housing	Aluminium
Strainer	Steel/Powder coated
Wear parts	Polyurethane
Impeller	Cast Iron
Optional impeller	17-4 S.S
Rotor shaft	400 Series Stainless Steel

Seal Material

Cemented Tungsten Carbide
in stainless Steel Holder

Weight

Total (less cable) 130 lbs

Corp Phone 208.556.6008
Crp. Fax 208.753.7008

Peak Mechanical & Componets, inc.

APEX MODEL SD160HH 8.2HP

